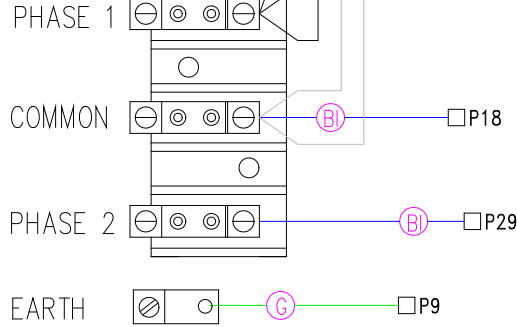


33-0012A

FUSE BLOCK & FUSE

30A

NOTE #1



Manufacture Notes:

NOTE #1: UNIT IS SINGLE OR DUAL PHASE READY. FOR SINGLE PHASE OPERATION PHASE 1 & PHASE 2 MUST BE JUMPED TOGETHER USING A 14AWG MIN. JUMPER WIRE.

HYDROQUIP
 510A N. Sheridan Street | Corona, CA 92880
 Tel: (951) 273-7575 | Fax: (800) 332-7190

Dwg. No.	CS6500	Drawn	MBS	Rev	1	Wire Color Code B - Black G - Green Br - Brown Bl - Blue R - Red V - Violet O - Orange W - White Y - Yellow Gr - Grey
Date	03.04.10					
Diagram No.	0636					